

**QG**

系列 铝行业专用气缸  
Series shell breaking cylinder for aluminum industry

# QG-1a / QG-2a / QG-5a / QG-6a

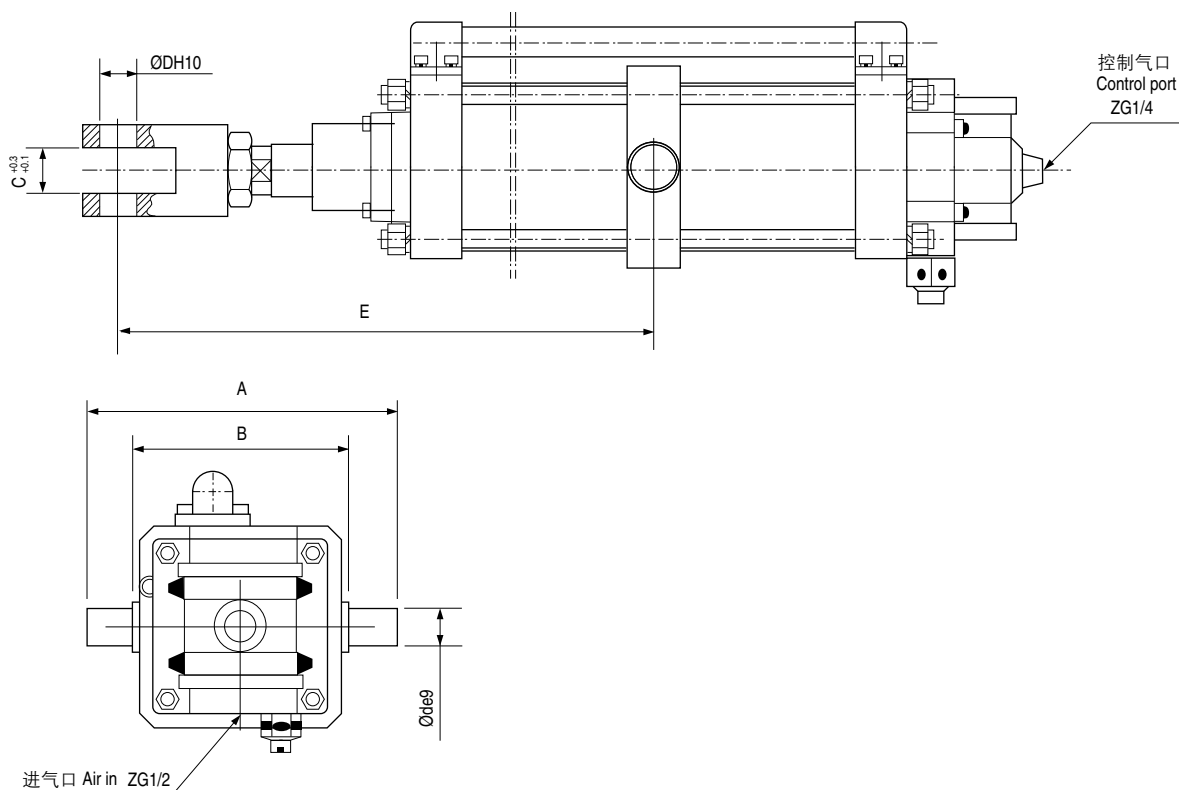
(改进型)电解槽出铝/打壳气缸  
(advanced) electrobath tank shelling breaking cylinder



## 技术参数 Specification

项目 / Item	性能参数 / Specification
工作介质 / Working medium	净化的压缩空气 / Cleaned compressed air
工称压力 / Working pressure (MPa)	0.12~0.8
工作温度 / Working temp. (°C)	5~150
活塞运动速度 / Piston speed (mm/s)	75~800
缓冲 / cushion	两端可调缓冲 cushion at both ends adjustable
锁紧力 / Clamping force (N)	>1500

## 外形尺寸 Outlook & Dimension



型号 Type	缸径 Dia	行程 Stroke	名称 Name	A	B	C	D	d	E*
QG-1a Ø125 × 550	Ø125	550	带阀打壳气缸 Shelling cylinder with valve	245	178	36.5	28	35	520
QG-2a Ø150 × 650	Ø150	650	带阀出铝气缸 Aluminum tapping cylinder with valve	280	190	38	32	45	420
QG-2a Ø160 × 650	Ø160	650	带阀出铝气缸 Aluminum tapping cylinder with valve	285	192	38	32	45	420
QG-5a Ø125 × 550	Ø125	550	带阀带销打壳气缸 Shelling cylinder with valve and pin	245	178	36.5	28	35	520
QG-6a Ø150 × 650	Ø150	650	带阀带销出铝气缸 Aluminum tapping cylinder with pin and valve	280	190	38	32	45	420
QG-6a Ø160 × 650	Ø160	650	带阀带销出铝气缸 Aluminum tapping cylinder with pin and valve	285	192	38	32	45	420

※根据用户需要而定 Depend on request