

KJ 系列截止式换向阀

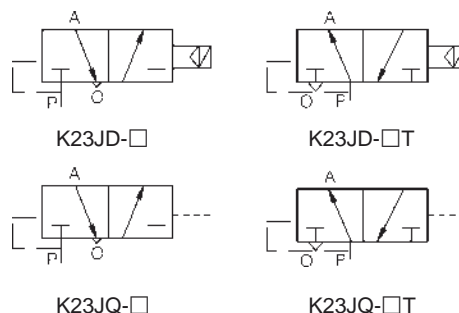
series solenoid valves

K23J 系列二位三通换向阀

series 3/2-ways solenoid valves



图形符号symbols

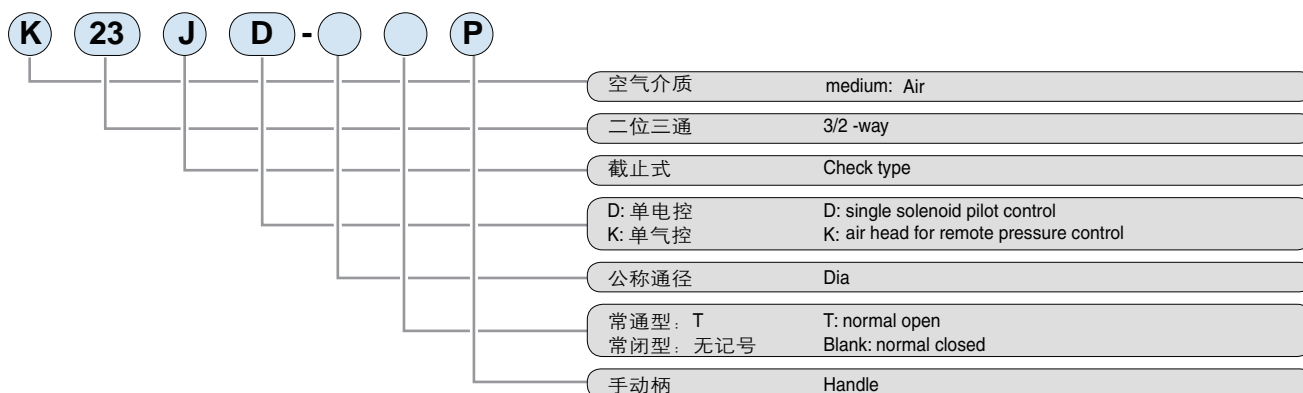


产品特点 Features

K23J 系列二位三通截止式换向阀是与一机部联合开发设计，截止式结构，抗尘性强，动作可靠。

Designed by the first ministry of mechanical industry of people's republic of china. It features: streamlined structure dust resistance powerful and reliable actions

型号注释 Order Code



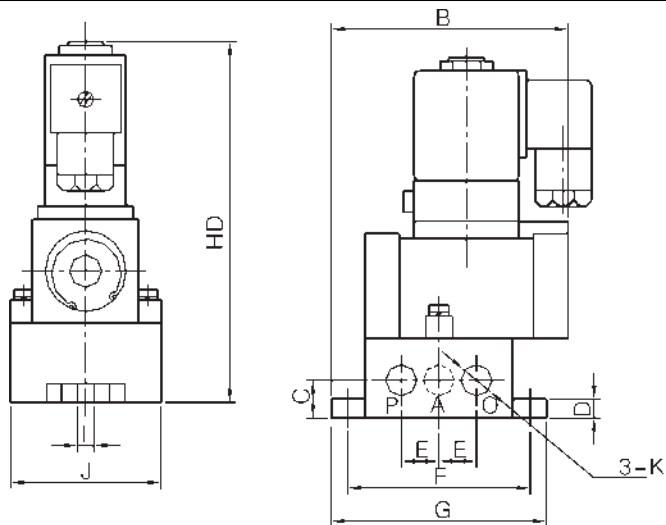
技术参数 Specification

型号 Type	K23JD-6 K23JD-6T K23JK-6 K23JK-6T	K23JD-8 K23JD-8T K23JK-8 K23JK-8T	K23JD-10 K23JD-10T K23JK-10 K23JK-10T	K23JD-15 K23JD-15T K23JK-15 K23JK-15T	K23JD-20 K23JD-20T K23JK-20 K23JK-20T	K23JD-25 K23JD-25T K23JK-25 K23JK-25T
公称通径 Dia	Ø6	Ø8	Ø10	Ø15	Ø20	Ø25
介质温度和环境温度 Temp ambient/medium(°C)	-5-50					
工作压力范围 Working pressure range(MPa)	0.15-0.8					
泄漏量 Leakage rate(mL/min)	≤10	≤10	≤25	≤25	≤50	≤50
换向时间 Direction diverting time(sec)	≤0.04	≤0.04	≤0.06	≤0.06	≤0.1	≤0.1
最高切换频率 Max swith-over frequency(Hz)	≥10	≥10	≥8	≥8	≥4	≥4
有效截面积 S 值 Effective sectional area S valve(mm ²)	≥10	≥20	≥35	≥60	≥120	≥190
额定流量 Flow(m ³ /h)	2.5	5	7	10	20	30
工作电压 Voltage(v)	If solenoid pilot control 电控: AC220、110、36 DC48、24、12 [电压波动允许范围 fluctuation+10%~-15%]					
寿命 (万次) work Life (Million times)	≥150					

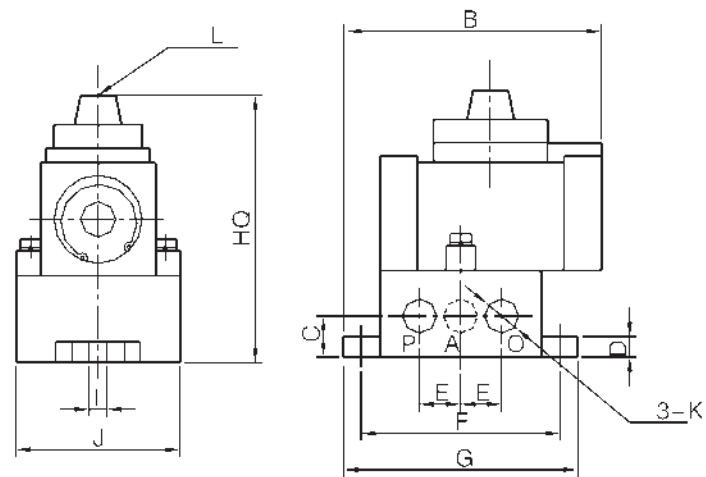
KJ 系列 **截止式换向阀**
Series **solenoid valve**

外形尺寸 Outlook & Dimension

K23JD-□



K23JK-□



注：常通PQ腔互换。P=Q when normally open

型号 Type	接管螺纹K Thread	B	C	D	E	F	G	HD	HQ	I	J	L
K23JD-6□ K23JK-6□	G1/8(M10×1)	90	14	7	14	68	80	134	91	7	56	G1/8
K23JD-8□ K23JK-8□	G1/4(M12×1.25)											
K23JD-10□ K23JK-10□	G3/8(M16×1.5)	125	19	10	19	86	100	155	111	7	64	
K23JD-15□ K23JK-15□	G1/2(M20×1.5)											
K23JD-20□ K23JK-20□	G3/4(M27×2)	180	30	12	30	130	162	218	149	11	100	
K23JD-25□ K23JK-25□	G1(M33×2)											