

KLJA 系列单向节流阀

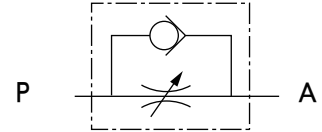
Series Flow Control Valve

KLJA-SR 系列单向节流阀

Series flow control valve



图形符号 symbols



产品特点 Features

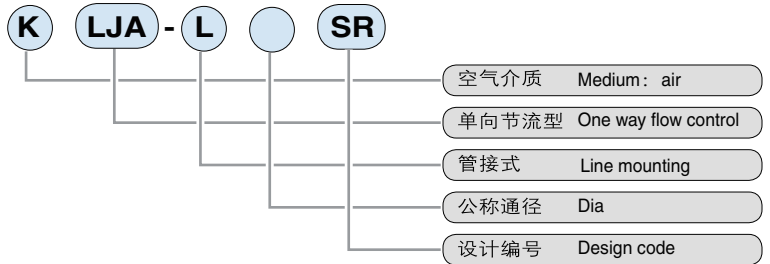
该单向阀是一种广泛用于调节气缸运行速度的阀，它是单向阀和节流阀并联而成的组合式控制阀。

One way flow control valve is widely used for adjusting cylinder speed. It is an integral control valve formed up by a one way valve and a flow control valve.

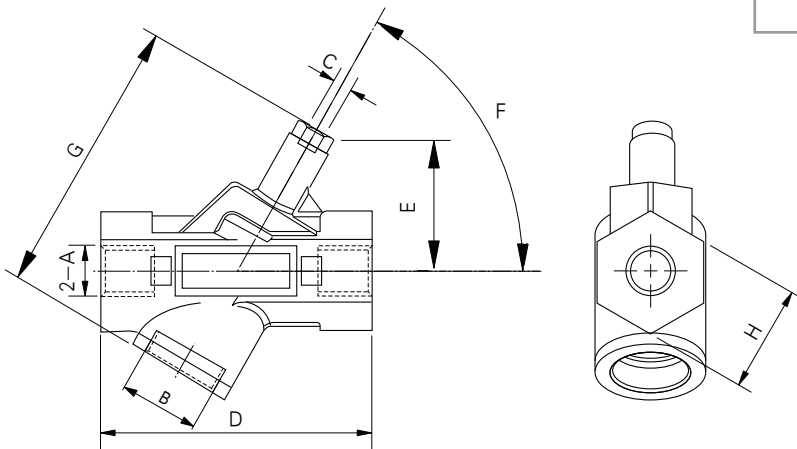
技术参数 Specification

压力范围 Pressure range(MPa)	0.05~0.8
开启压力 Start pressure(MPa)	≤0.05
环境温度 Ambient Temperature (°C)	5~50
介质温度 Medium Temperature (°C)	5~50
耐久性(万次) Life time (10K times)	200

型号注释 Order Code



外形尺寸 Outlook & Dimension



型号 Type	通径 dia	A(接口螺纹/threads)	B	C	D	E	F	G	H
KLJA-L1/4SR	Ø8	G1/4	M22x1.5	M6	82	36.5	60°	85	30.5
KLJA-L3/8SR	Ø10	G3/8							
KLJA-L1/2SR	Ø15	G1/2							
KLJA-L3/4SR	Ø20	G3/4	M32x1.5	M8	110	52	60°	110	42
KLJA-L1SR	Ø25	G1							
KLJA-L1¼SR	Ø32	G1¼	G1¼	M10	135	57	60°	136	60
KLJA-1½SR	Ø40	G1½							