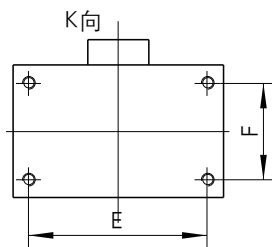
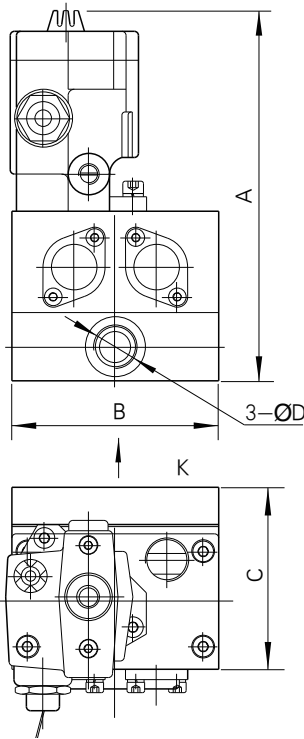
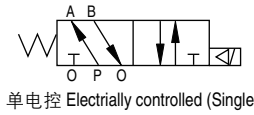


W 系列 截止式电磁换向阀
Series poppet valves

K25J-BW 系列板接截止式电磁换向阀
series base mounting poppet valve



图形符号 symbols



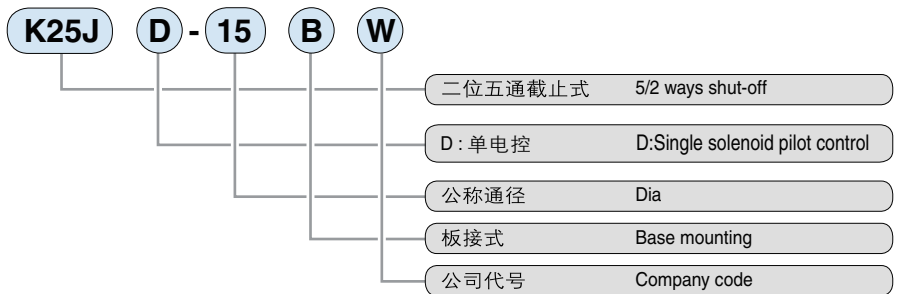
单电控 Electrically controlled (Single)

产品特点 Features

K25JD-BW系列是二位五通板接截止式换向阀。该阀结构合理，动作可靠，维修方便，尤其适用于较为恶劣的工作环境。分电控和气控两种。

K25JD-BW series is 5/2 way poppet valve for base Mounting. Streamlined structure, reliable action easy of maintenance, and especially suites to tough work conditions. Tow types: solenoid pilot control or Air remote pressure control

型号注释 Order Code



技术参数 Specification

技术指标 Specification	流通特性 flow (mm ²)	换向时间 Direction diverting time(s)	泄流量 leakage rate (ml/min)	工作压力 working pressure (MPa)
型号Type				
K25JD-8BW, K25J-8BW	20	≤0.04	≤50	0.2~0.8
K25JD-10BW, K25J-10BW	40	≤0.06	≤100	
K25JD-15BW, K25J-15BW	60	≤0.10	≤200	
K25JD-20BW, K25J-20BW	110	≤0.15	≤300	
K25JD-25BW, K25J-25BW	190			
K25JD-32BW, K25J-32BW	300			
K25JD-40BW, K25J-40BW	400			

外形尺寸 Outlook & Dimension

型号Type	公称通径 Dia	接管螺纹 Threads	A	B	C	E	F
K25J-8BW	Ø8	G1/4	179	100	90	85	46
K25J-10BW	Ø10	G3/8					
K25J-15BW	Ø15	G1/2					
K25J-20BW	Ø20	G3/4	203	140	117	122	70
K25J-25BW	Ø25	G1					
K25J-32BW	Ø32	G1¼	218	140	117	122	70
K25J-40BW	Ø40	G1½					